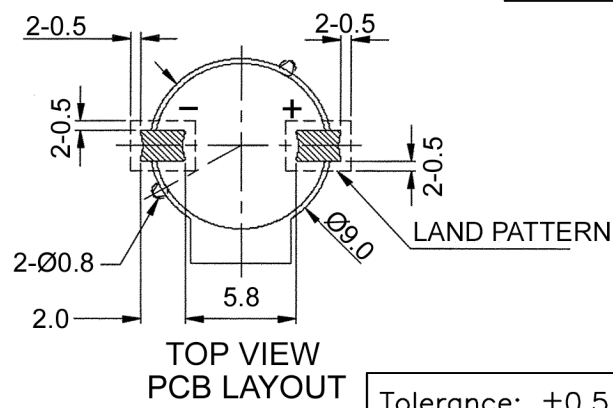
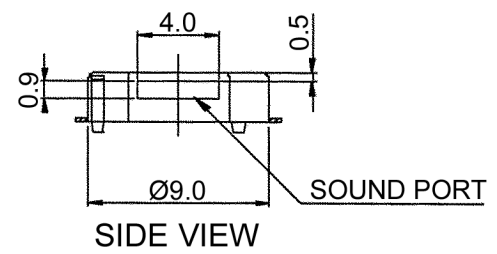
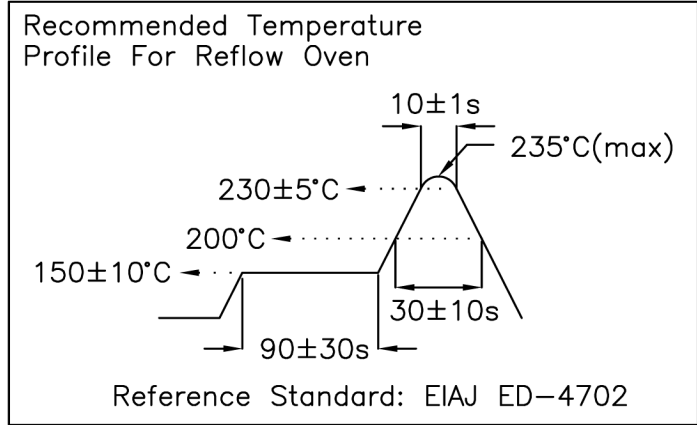
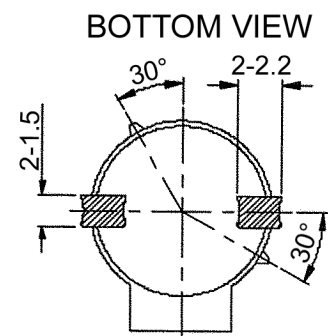
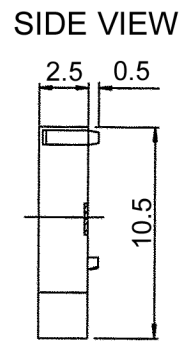
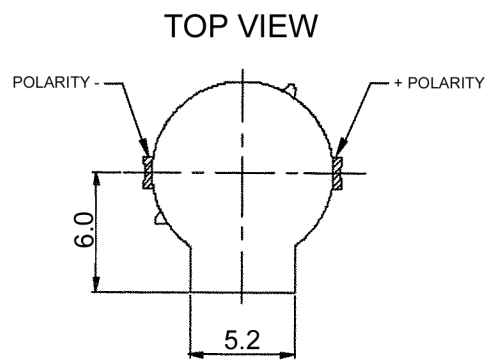
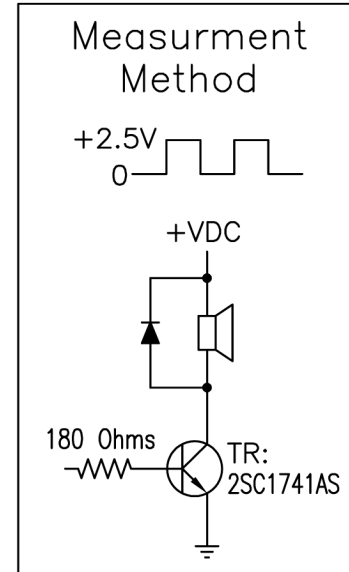


Test Condition: Temp=+25°C±2°C Relative Humidity=65±5% Air Pressure:860-1060mbar

No.	Item	Specification
1	Rated Voltage	3.6 Vo-p
2	Operating Volt.	2.5~4.5 Vo-p
3	Mean Current	Max. 110 mA Applying Rated Voltage, 2730Hz, Square Wave, 1/2 Duty
4	Coil Resistance	16.0±2.4 Ohms
5	Coil Impedance	31.0 Ohms
6	Sound Output	Min. 85 dBA (90 Typ.) Distance at 10cm(A-Weight). Applying rated voltage 2730Hz square wave, 1/2 duty.
7	Rated Frequency	2730Hz
8	Operating Temp.	-30~+70°C
9	Storage Temp.	-40~+85°C
10	Dimension	ø9.0 x H2.4 mm
11	Weight	0.6 grams
12	Material	PPS
13	Terminal	SMD Type



CUI INC

9615 SW Allen, Suite 103
 Beaverton, OR 97005
 Phone: (503) 643-4899
 800-275-4899
 Fax: (503) 372-1266
 Website: www.cui.com

TITLE: Magnetic Buzzer		
PART NO. CCV-084B16	UNITS: Millimeters	
DRAWN BY: Todd White	APPROVED BY:	SCALE: None

Tolerance: ±0.5